

# Single Lounger for the Simple Modern Outdoor Collection

[View \(/woodworking-projects/single-lounger-simple-modern-outdoor-collection\)](/woodworking-projects/single-lounger-simple-modern-outdoor-collection)

[Edit \(/node/1930/edit\)](/node/1930/edit)

[Delete \(/node/1930/delete\)](/node/1930/delete)

SUBMITTED BY ANA WHITE (/USERS/ANA-WHITE) ON SUN, 04/24/2011 - 10:54

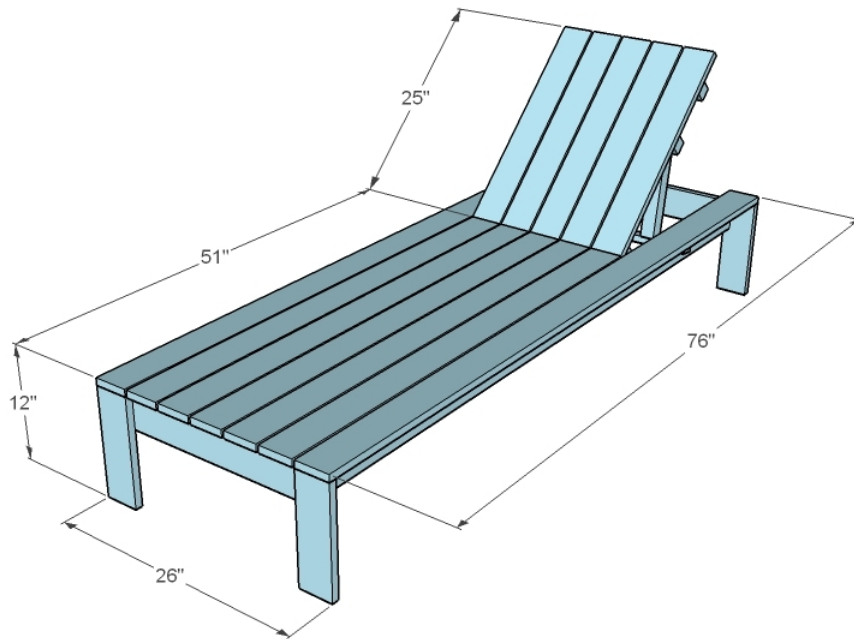
Difficulty: **Intermediate**

Single lounger for the Simple Modern Outdoor Collection. Features simple prop-up back with adjustable positions.

Special thanks to Wiscousonian (<http://ana-white.com/2011/04/single-simple-modern-outdoor-lounger>) for sharing photos.

I'm so happy to revisit a favorite collection - The Simple Modern Outdoor Collection (<http://ana-white.com/category/plans/collections/simple-modern-outdoor-collection>) of plans with this single lounger. Hooray for summer!

## Dimensions



Dimensions are shown above.

## Preparation

### SHOPPING LIST

- 9 - 1x4 @ 8 feet long
- 1 - 1x2 @ 8 feet long
- 1 - 2x2 @ 8 feet long
- 1 - set of hinges less than 1 1/2" wide
- 1 - set of 3" hinges

### COMMON MATERIALS

- 1 1/4 inch screws
- 2 inch screws
- 1 1/4 inch finish nails
- 2 inch finish nails

1-1/4" Pocket Hole Screws ([http://www.amazon.com/gp/product/B0006444U2/ref=as\\_li\\_tl?ie=UTF8&camp=1789&creative=390957&creativeASIN=B0006444U2&linkCode=as2&tag=knooffwoo-20&linkId=5AJJGUAWGYX2TT7E](http://www.amazon.com/gp/product/B0006444U2/ref=as_li_tl?ie=UTF8&camp=1789&creative=390957&creativeASIN=B0006444U2&linkCode=as2&tag=knooffwoo-20&linkId=5AJJGUAWGYX2TT7E))  
2-1/2" Pocket Hole Screws ([http://www.amazon.com/gp/product/B000BN7DLU/ref=as\\_li\\_tl?ie=UTF8&camp=1789&creative=390957&creativeASIN=B000BN7DLU&linkCode=as2&tag=knooffwoo-20&linkId=XLDYGROR7GI4SHLA](http://www.amazon.com/gp/product/B000BN7DLU/ref=as_li_tl?ie=UTF8&camp=1789&creative=390957&creativeASIN=B000BN7DLU&linkCode=as2&tag=knooffwoo-20&linkId=XLDYGROR7GI4SHLA))  
Elmer's Wood Glue (<http://elmers.com/diy>)  
Elmer's Wood Filler (<http://elmers.com/products/wood-filler-and-other-repair?filters=construction#>)  
120 grit sandpaper  
primer  
wood conditioner  
paint  
paint brush

#### CUT LIST

2 - 1x4 @ 74 1/2" (Frame Sides)  
5 - 1x4 @ 19" (Frame Joists)  
5 - 1x4 @ 51" (Deck Boards)  
2 - 1x4 @ 76" (Deck Boards - Sides)  
4 - 1x4 @ 11 1/4" (Legs)  
2 - 1x2 @ 23 1/2" (Cleats)  
5 - 1x4 @ 25" (Deck Boards - Back - Cut from main deck boards to match patterns)  
3 - 2x2 @ 17 1/2" (Back Supports)  
2 - 2x2 @ 9 1/4" (Prop Up Supports)  
1 - 1x2 @ 18 3/4" (Prop Up Base)  
1x2 Scraps for the Stops

#### TOOLS



Tape Measure



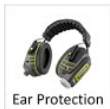
Speed Square



Pencil



Safety Glasses



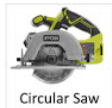
Ear Protection



Kreg Jig



Drill



Circular Saw



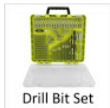
Brad Nailer



Sander



Level



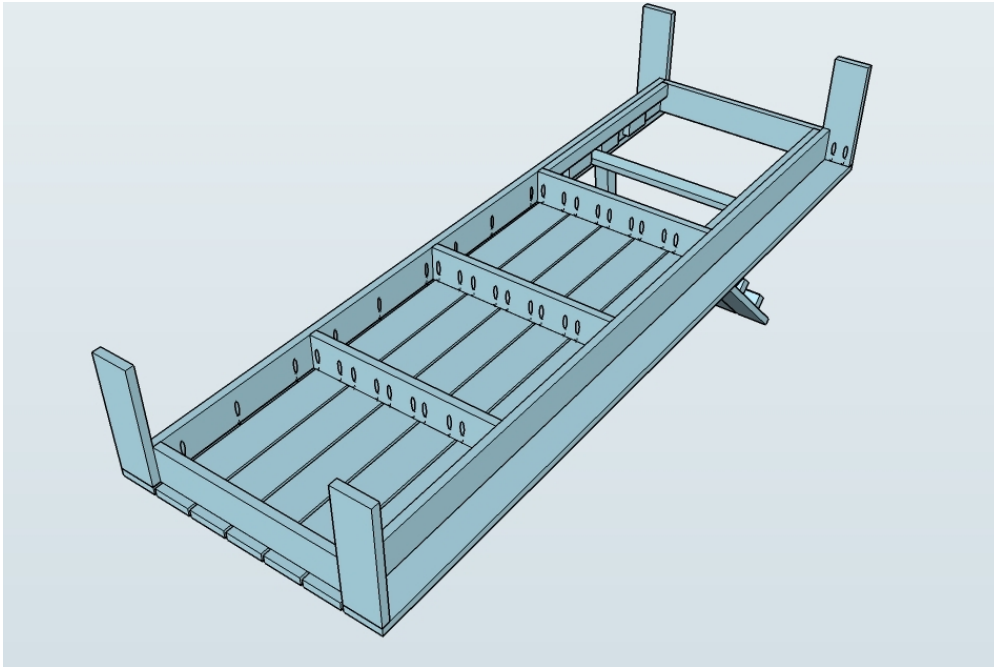
Drill Bit Set

#### GENERAL INSTRUCTIONS

Please read through the entire plan and all comments before beginning this project. It is also advisable to review the Getting Started Section. Take all necessary precautions to build safely and smartly. Work on a clean level surface, free of imperfections or debris. Always use straight boards. Check for square after each step. Always predrill holes before attaching with screws. Use glue with finish nails for a stronger hold. Wipe excess glue off bare wood for stained projects, as dried glue will not take stain. Be safe, have fun, and ask for help if you need it. Good luck!

## Instructions

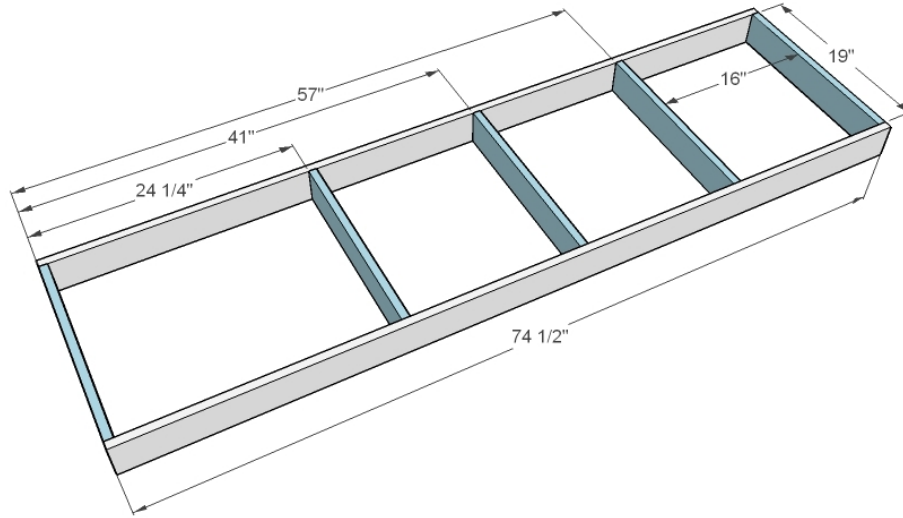
### STEP 1



To build this lounge, you can either use the Kreg Jig (<http://www.kregtool.com/files/anawhite/anawhite.asp>) (pocket hole recommendations shown above) or traditional screws and nails. If you do use the Kreg Jig, it is recommended that you drill all pocket holes prior to building, and that you set your Kreg Jig for 3/4" stock and use 1 1/4" pocket hole screws.

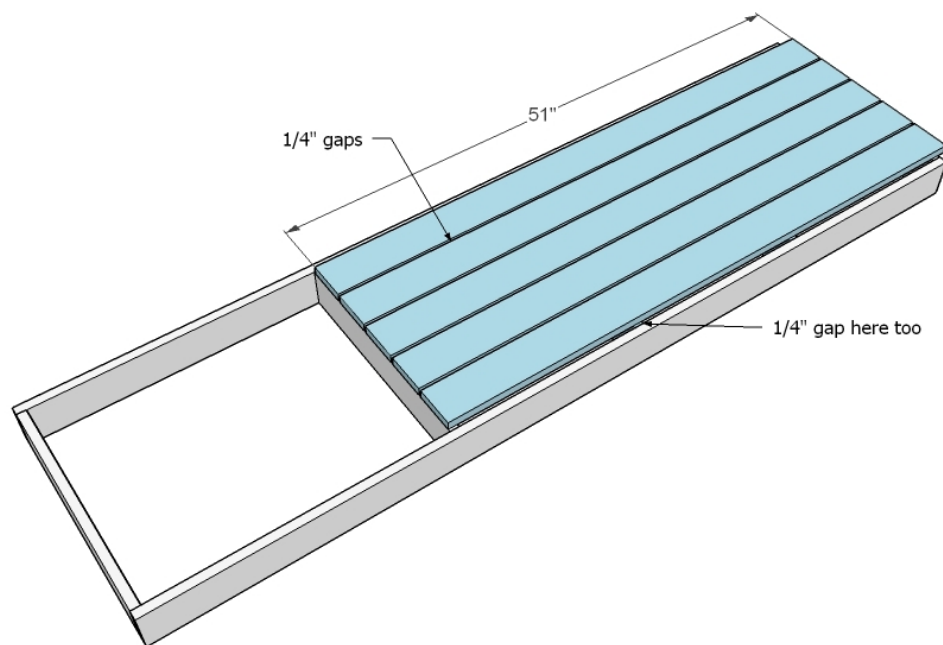
What I like to do is inspect every single cut board as compared to the diagram above, and mark all pocket hole locations, and then predrill the pocket holes.

**STEP 2**



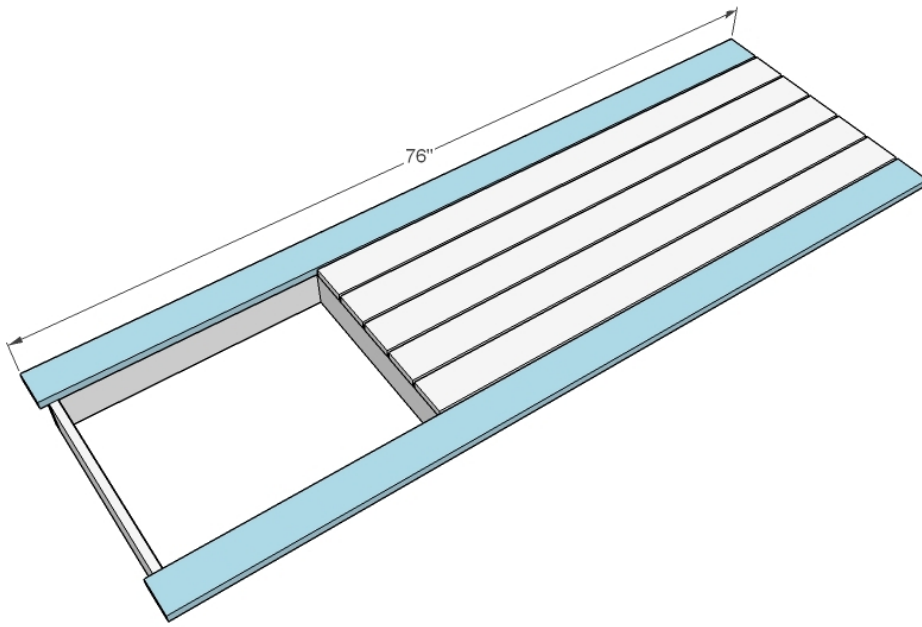
Build the frame as shown above, using either 2" screws countersunk or the Kreg Jig. Make sure that the frame is very square.

**STEP 3**



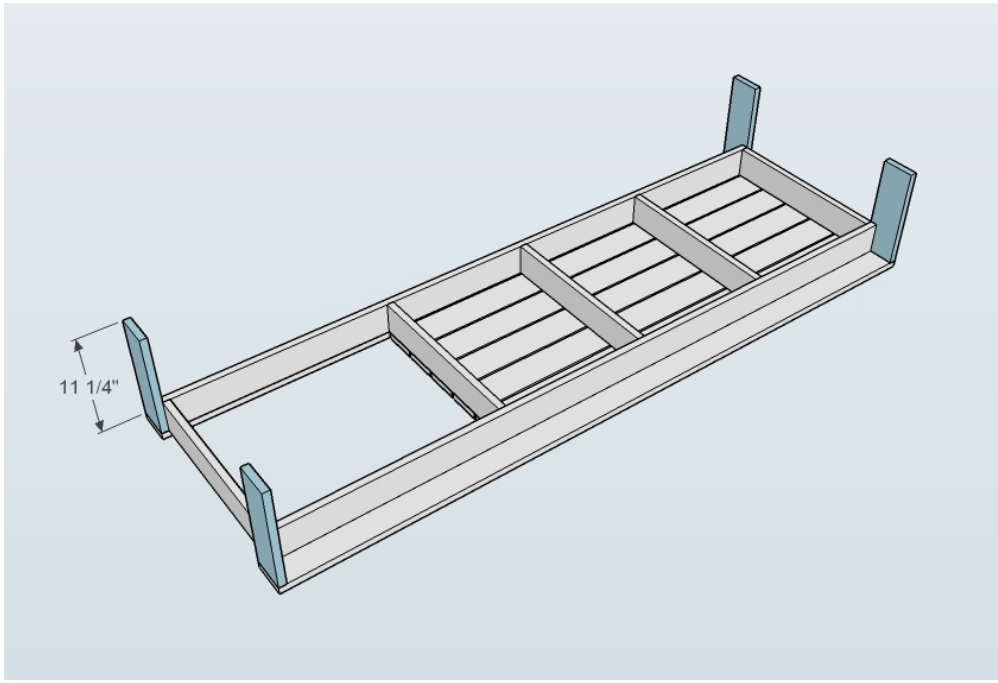
Attach the decking boards as shown above. Use either the Kreg Jig or 2" finish nails and glue, nailing into the frame joists. Notice that the decking does not cover the sides of the frame. You can click on any diagram for a larger view.

**STEP 4**

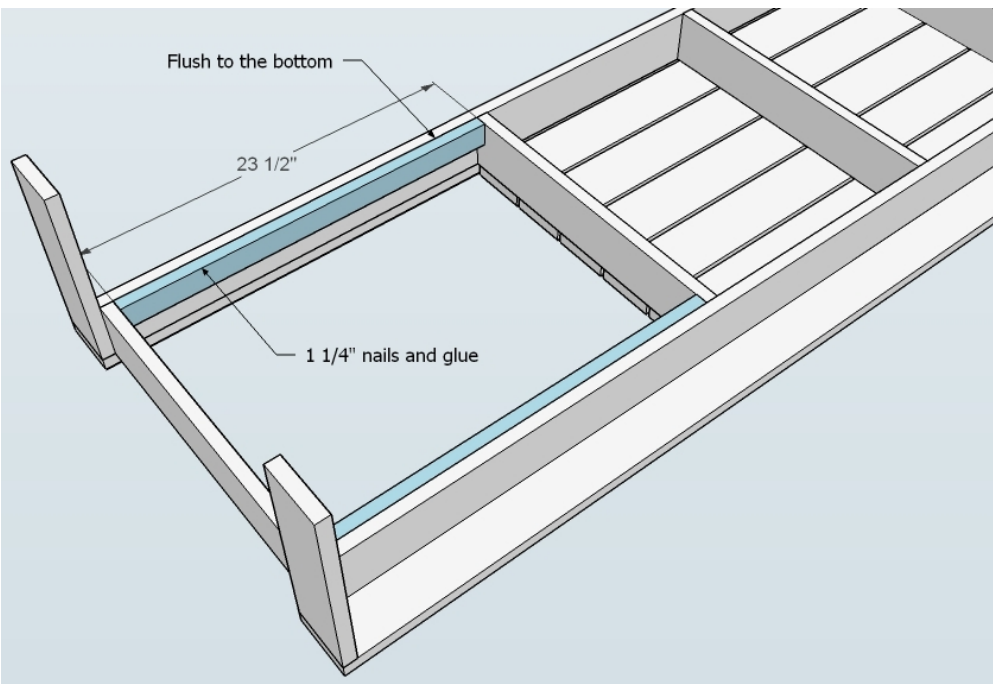


Now the decking. Nail or Kreg Jig it to the frame as shown above.

STEP 5



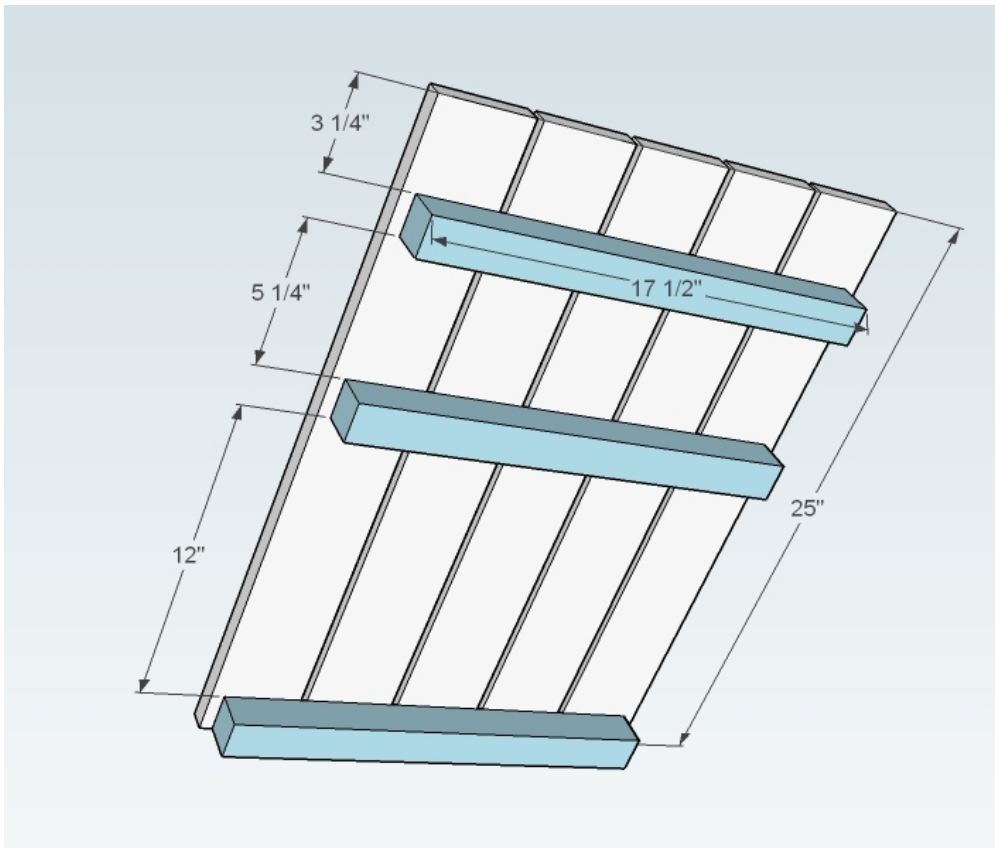
**STEP 6**



The cleats should sit flush to the bottom of the frame as shown above. Use 1 1/4" finish nails and glue to secure.

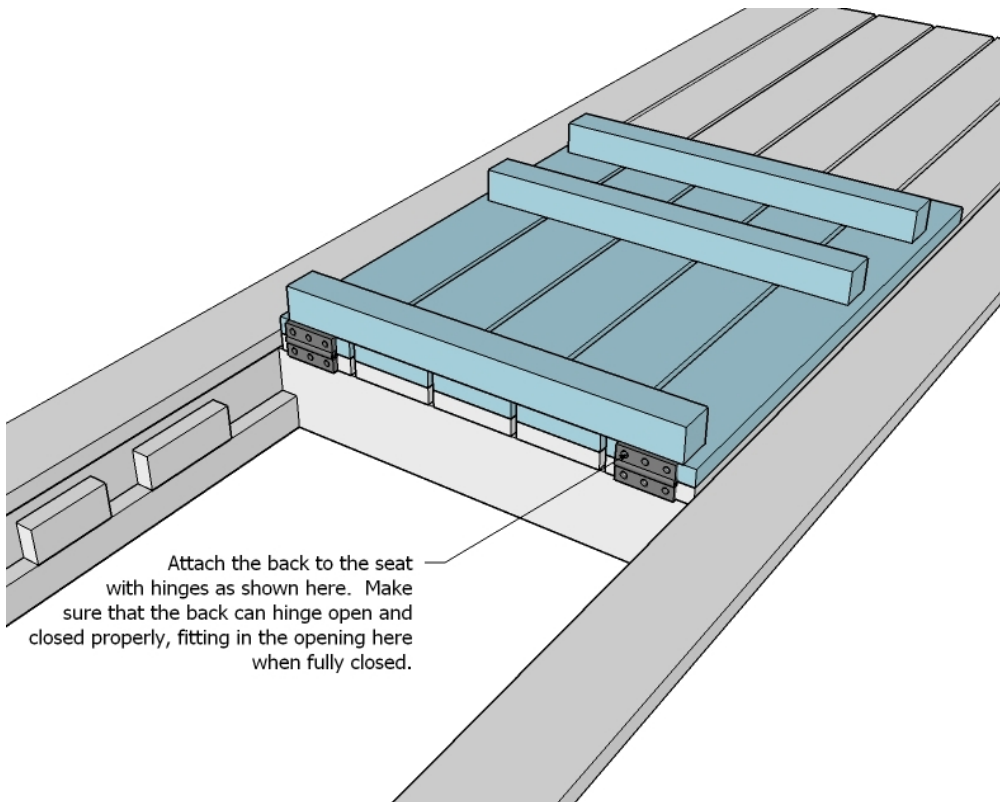


STEP 7



Build the back as shown above. Use 2" screws to screw through the 2x2s into the backs of the decking to hide holes. It is a good idea to make sure the back properly fits inside the lounger before using glue or attaching all screws.

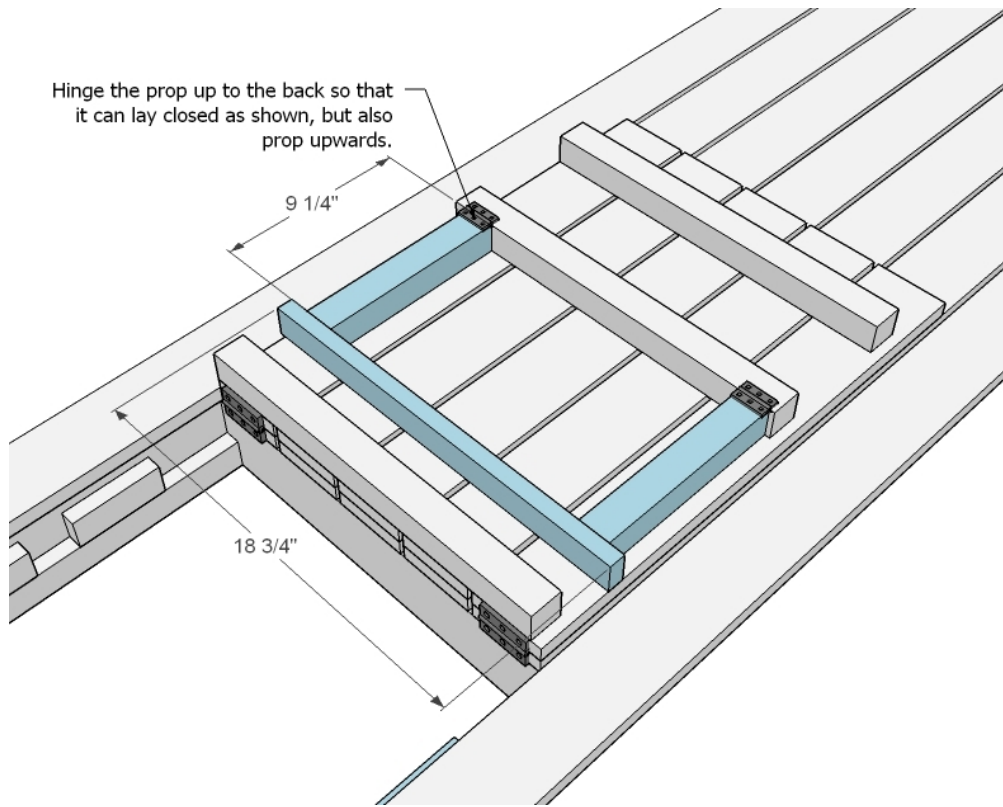
STEP 8



Attach the back to the seat with hinges as shown here. Make sure that the back can hinge open and closed properly, fitting in the opening here when fully closed.

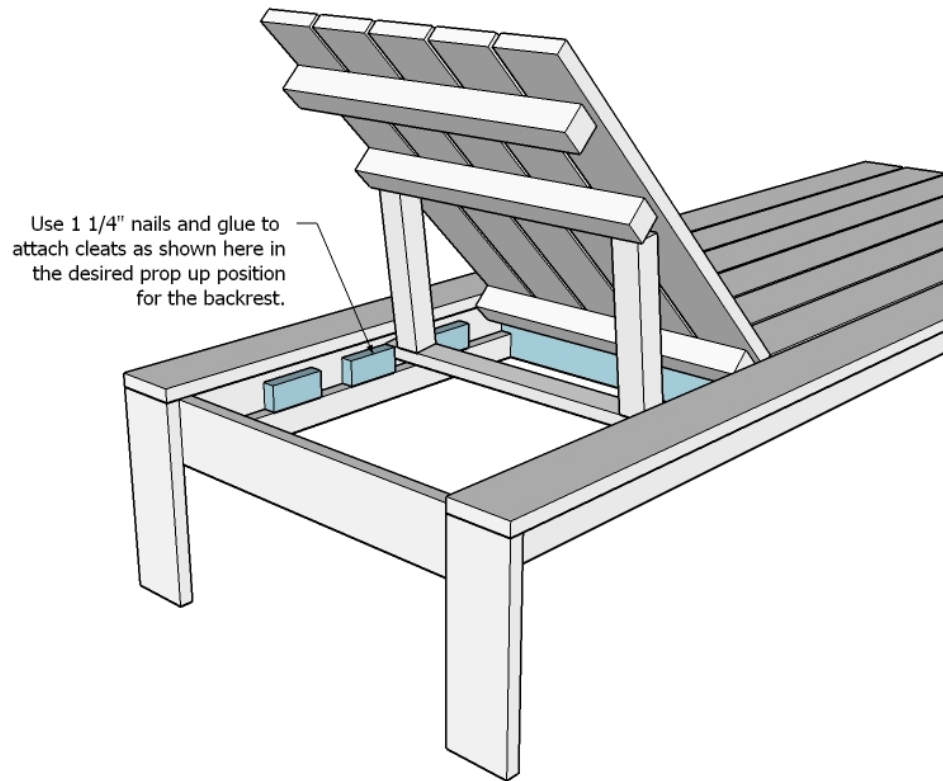
Attach the back with the 3" hinges as shown above. Make sure that the back properly fits inside the opening and fully closes.

STEP 9



Build the prop up as shown above, and attach to the back with the 1 1/2" hinges. Test to make sure the back still fully closes.

STEP 10



Use 1 1/4" nails and glue to attach cleats as shown here in the desired prop up position for the backrest.

Now take some of the 1x2 scraps and create stops as shown above to hold the prop up in place. You can space these at any desired location.

## Finishing Instructions

**Preparation Instructions:** Fill all holes with wood filler and let dry. Apply additional coats of wood filler as needed. When wood filler is completely dry, sand the project in the direction of the wood grain with 120 grit sandpaper. Vacuum sanded project to remove sanding residue. Remove all sanding residue on work surfaces as well. Wipe project clean with damp cloth.

It is always recommended to apply a test coat on a hidden area or scrap piece to ensure color evenness and adhesion. Use primer or wood conditioner as needed.

[Add new comment \(/woodworking-projects/single-lounger-simple-modern-outdoor-collection#comment-form\)](#) 3680 views